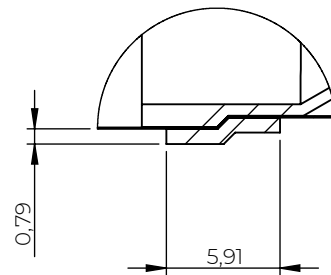
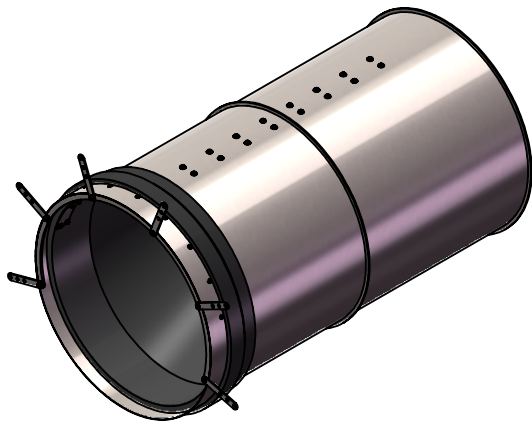
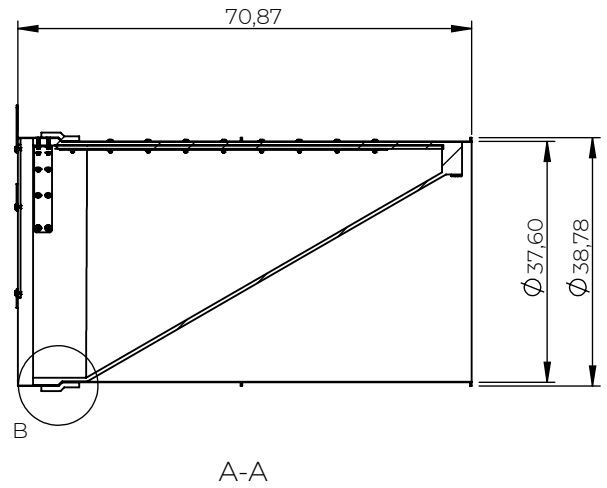
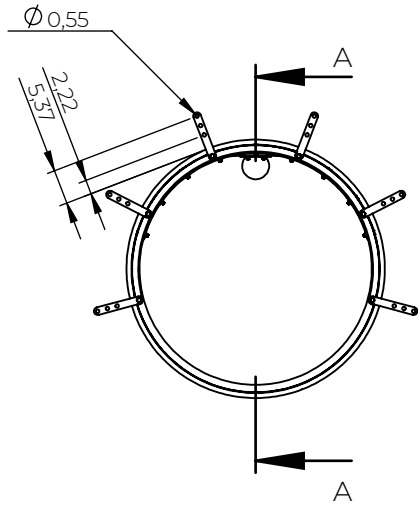


Rev	Note	CreatedBy	Appr.By	Appr.Date
A	Initial release		AE	2018-11-28



DETAIL B  
SCALE 1:10

© 2018 Wapro AB. This document is subject to copyrights owned by Wapro AB. Any amendments, republication, retransmission, and/or reproduction of all or any part of the document is expressly prohibited, unless the copyright owner of the material has expressly granted its prior written consent. All other rights are reserved.

Designed By PM	Approved By PM	Created Date 2015-07-02	Units [inch]	General Tolerance ISO 13920A	Scale 1:30			
Material EN 1.4301 / EN 1.4404		Weight [Lbs] 332	Box Volume [ft <sup>3</sup> ] 87	Comments Project				
 www.wapro.com			Description WaStop NPS 40" Mounting tabs		Article Number WS985-S	Drawing Number 006967	Rev A	Sheet 1 (1)