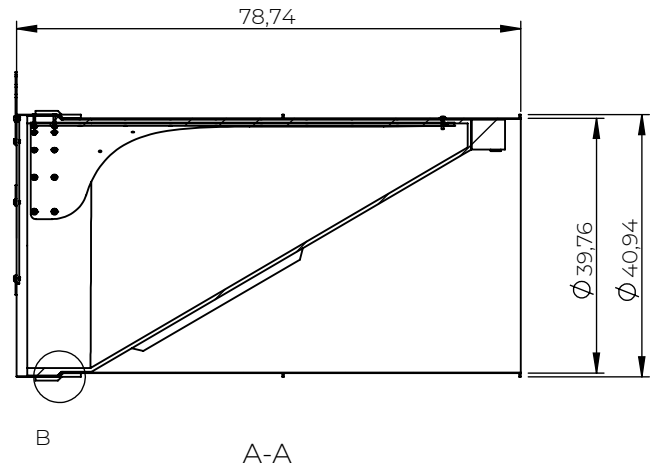
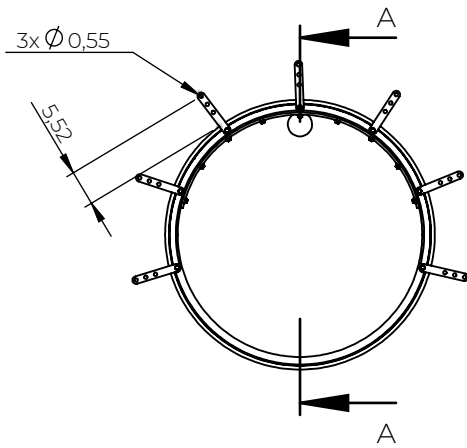


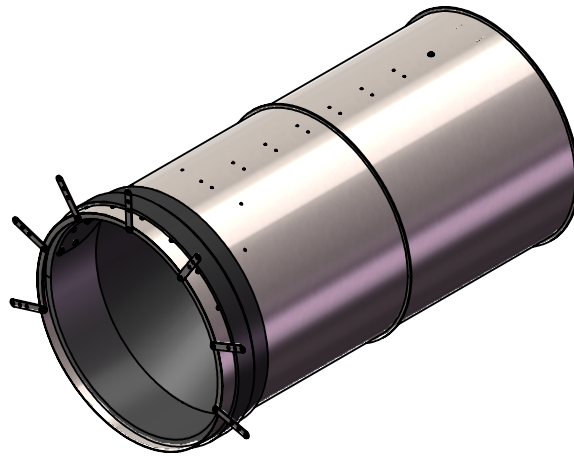
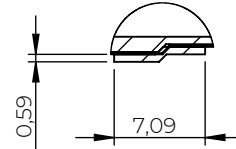
NOT FOR PRODUCTION

© 2018 Wapro AB. This document is subject to copyrights owned by Wapro AB. Any amendments, republication, retransmission, and/or reproduction of all or any part of the document is expressly prohibited, unless the copyright owner of the material has expressly granted its prior written consent. All other rights are reserved.

Rev	Note	CreatedBy	Appr.By	Appr.Date
A	Initial release	PW	AE	2018-12-13



DETAIL B
SCALE 1 : 15



Designed By AE	Approved By AE	Created Date 2017-11-02	Units [inch]	General Tolerance ISO 13920A	Scale 1:30	
Material EN 1.4301 / EN 1.4404			Comments		Project	
Weight [Lbs] 860	Box Volume [ft³] 112		Description WaStop NPS 42"			
 www.wapro.com			Gasket and mounting tabs			
			Article Number WS1040-S	Drawing Number 033011	Rev A	Sheet 1 (1)