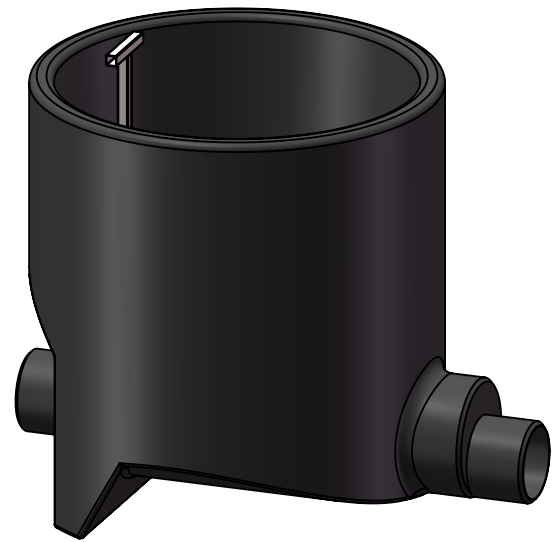
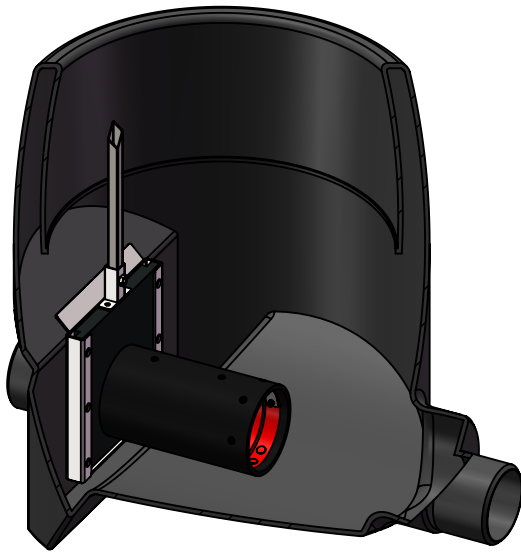


A-A



© 2017 Wapro AB. This document is subject to copyrights owned by Wapro AB. Any amendments, republication, retransmission, and/or reproduction of all or any part of the document is expressly prohibited, unless the copyright owner of the material has expressly granted its prior written consent. All other rights are reserved.

Designed By PM	Approved By PM	Created Date 2011-02-28	Units [inch]	General Tolerance SS-ISO 2768-1 m	Scale 1:10	
Material PE, AISI 304, PVC			Comments		Project Number	
Weight [Lbs] 40,8		Box Volume [ft ³] 8,12	Description WaBack Access			
 www.wapro.com			NPS 5"			
			Article Number WA110-425-2,3,4	Rev A	Sheet 1 (1)	