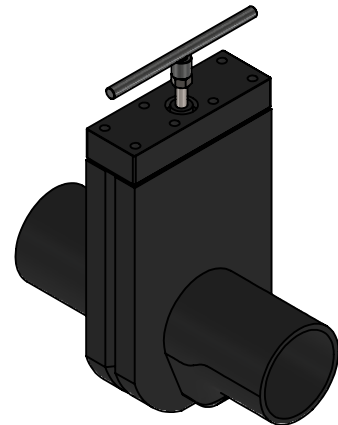
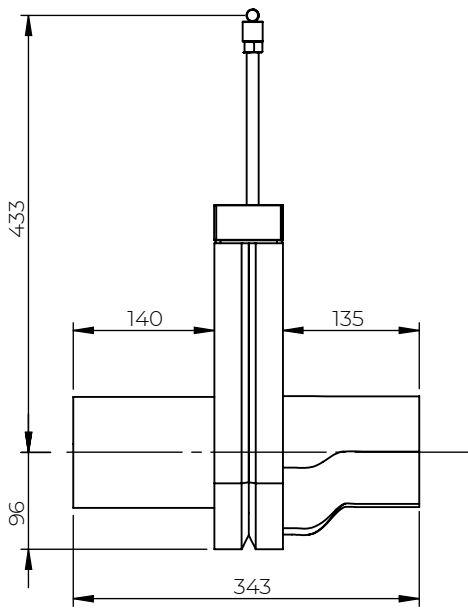
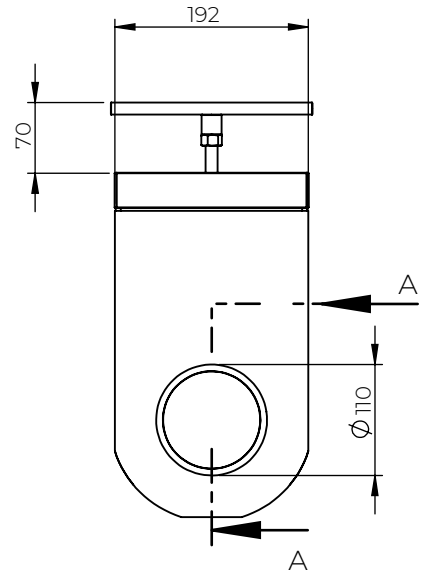


A-A  
SCALE 1 : 7.5



Approval Signature: \_\_\_\_\_

Date: \_\_\_\_\_

✓	Article No.	Knife gate material	Screw & bolt	Pipe and Body
	V13078110	EN1.4462 / AISI 2205	A4	PEDH
	V13076110	EN1.4404 / AISI 316	A4	PEHD
	V13079110	EN1.4462 / AISI 2205	EN1.4529 / AISI926	PEDH

Designed By MS	Approved By	Created Date 2022-08-30	Units [mm]	General Tolerance ISO 2768-1 m	Scale 1:5		
Material See Table		Comment PE100 PN 6,3 SDR 17			Updated 2022-12-13		
Weight [kg] 4.63		Box Volume [m³]	Description WaGate Gate Valve SVL DN/OD 110				
 www.wapro.com			Article Number See Table		Drawing Number SVL Ø110_EN	Rev A	Sheet 1 (1)