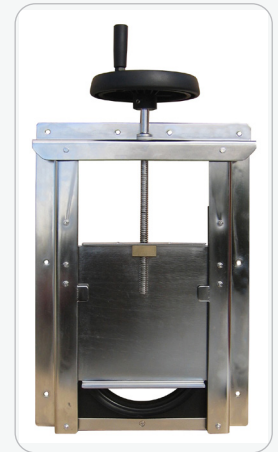


SLUICE GATE - SPS-TG DN 200-630

AREA OF USE: Sewer and stormwater, industrial facilities and process water.
SPS-TG seals from the mounting side.

ADVANTAGES WITH WAGATE SPS-TG:

- No welding of frame or damper plate, which reduces the risk of corrosion, therefore longer operational life
- Encapsulated bearing and sliding parts built into PEHD housing, thereby no degradation from the medium
- No rising spindle, thereby requiring less space
- Square or circular opening with the possibility of tight pipe connection to damper. Can be manufactured with a rounded flange for installation in a chamber
- O-ring seal mounted in PEHD for replacement when worn. All bearings and sliding parts are encased in PEHD round part for pressure lubrication.



OPERATION: Manually with hand wheel. Can be used with electric, pneumatic, or hydraulic actuators.

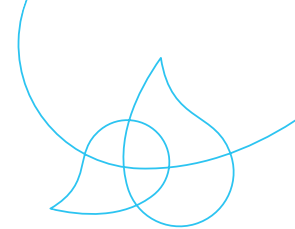
SPECIAL DESIGN: Spindle and nut above surface level (pedestal-mounted)

MATERIAL:

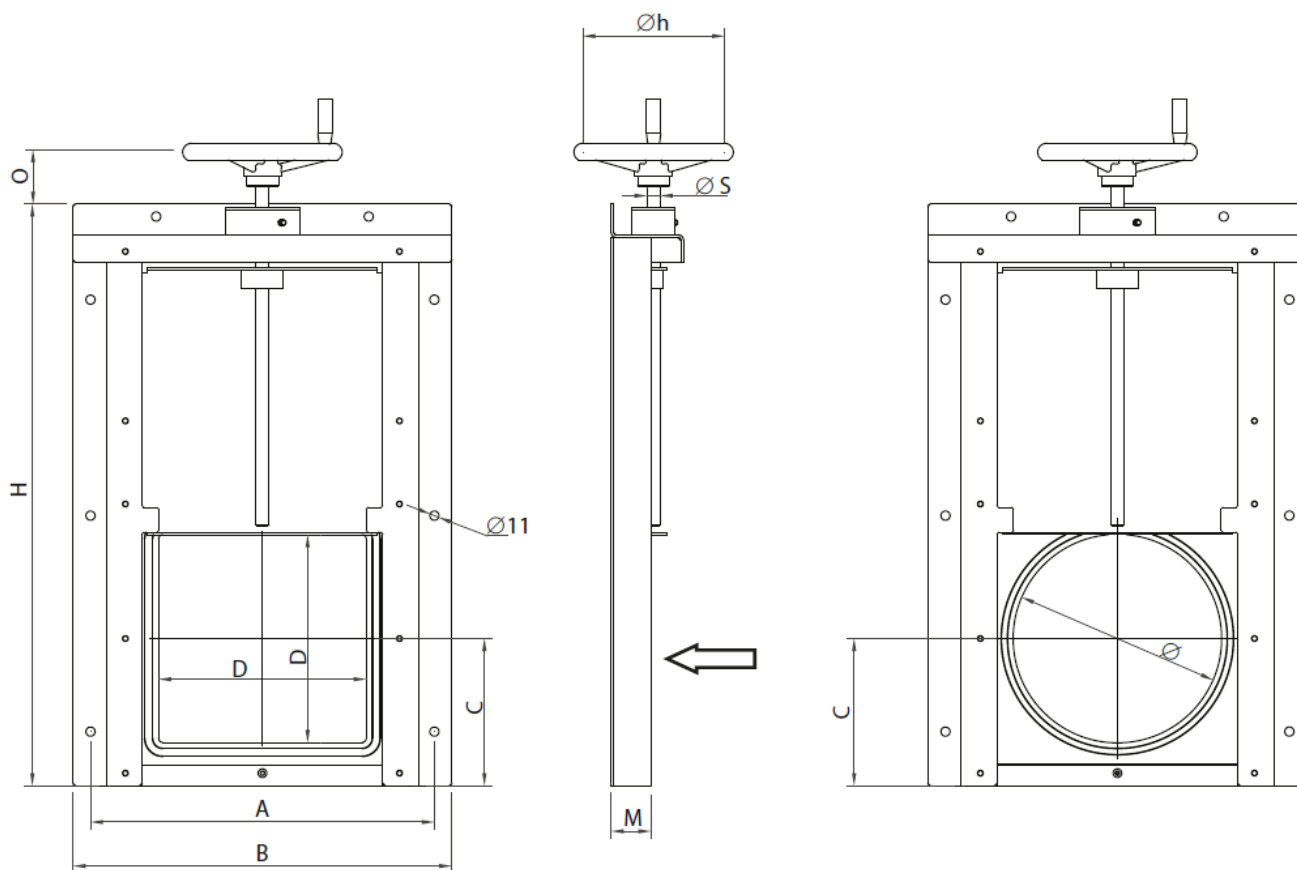
Frame	EN 1.4404 & PEHD
Damper plate	EN 1.4404
Spindle	EN 1.4571 (EN 1.4462)
Spindle nut	Tin bronze (Cu2Sn12)
Seal against the damper plate	EPDM
Seal against the wall	EPEM sponge rubber

TECHNICAL DATA:

Sealing according to	DIN 19569-4
----------------------	-------------



SLUICE GATE - SPS-TG DN 200-630



DIMENSIONER I MM]

DN	D	Ø	A	B	C	H	M	O	ØS	ØH	WEIGHT [KG]	MVS
200	200x200	200	364	406	152	600	48	65	18	200	13	4
250	250x250	250	414	456	177	700	48	80	18	250	16	4
300	315x315	315	479	521	210	805	48	60	18	250	19	4
400	400x400	400	564	606	252	1000	48	80	18	315	25	4
500	500x500	500	664	706	302	1200	48	80	22	315	33	3
600	630x630	630	794	836	365	1443	48	100	22	315	40	3

Other dimensions on request. Reserves the right to changes.