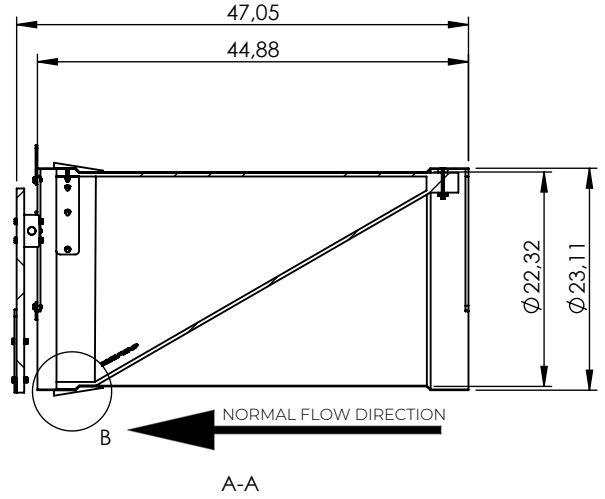
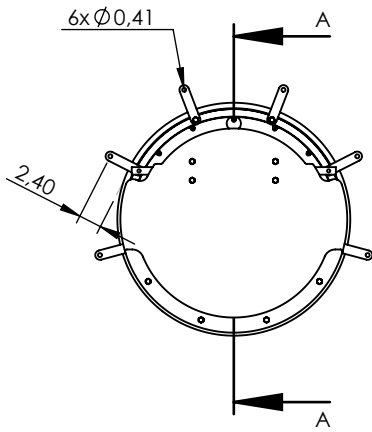
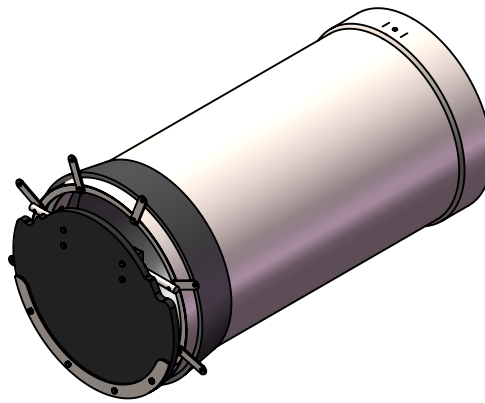
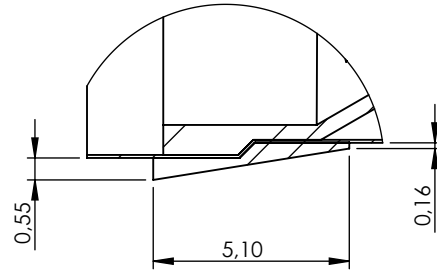


Rev	Note	CreatedBy	Appr.By	Appr.Date
A	Initial release	PW	FG	2023-01-30



DETAIL B
SCALE 1 : 5



Designed By PW	Approved By FG	Created Date 2023-01-30	Units [inch]	General Tolerance ISO 13920A	Scale 1:20	
Material AISI 304 / AISI 316L, PEHD, PUR			Comments		Project	
Weight [Lbs] 129.4	Box Volume [ft ³] 14.8	Description WaStop NPS 24 with manatee guard				
 www.wapro.com			Article Number WS590-S	Drawing Number ws590-s-manateeguard_UA	Rev A	Sheet 1 (1)

© 2018 Wapro AB. This document is subject to copyrights owned by Wapro AB. Any amendments, republication, retransmission, and/or reproduction of all or any part of the document is expressly prohibited, unless the copyright owner of the material has expressly granted its prior written consent. All other rights are reserved.