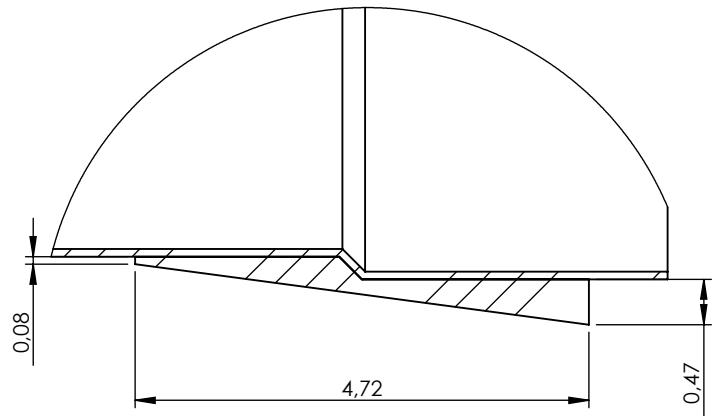
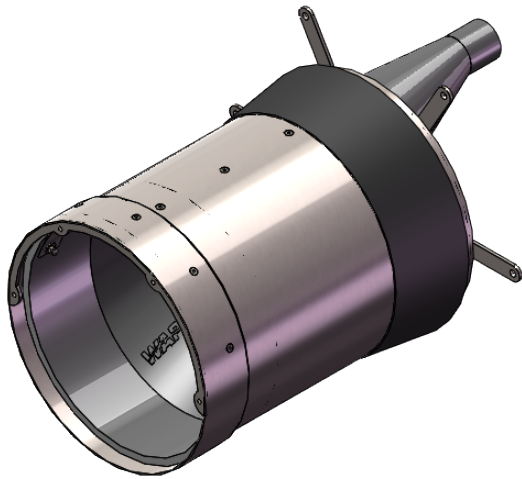
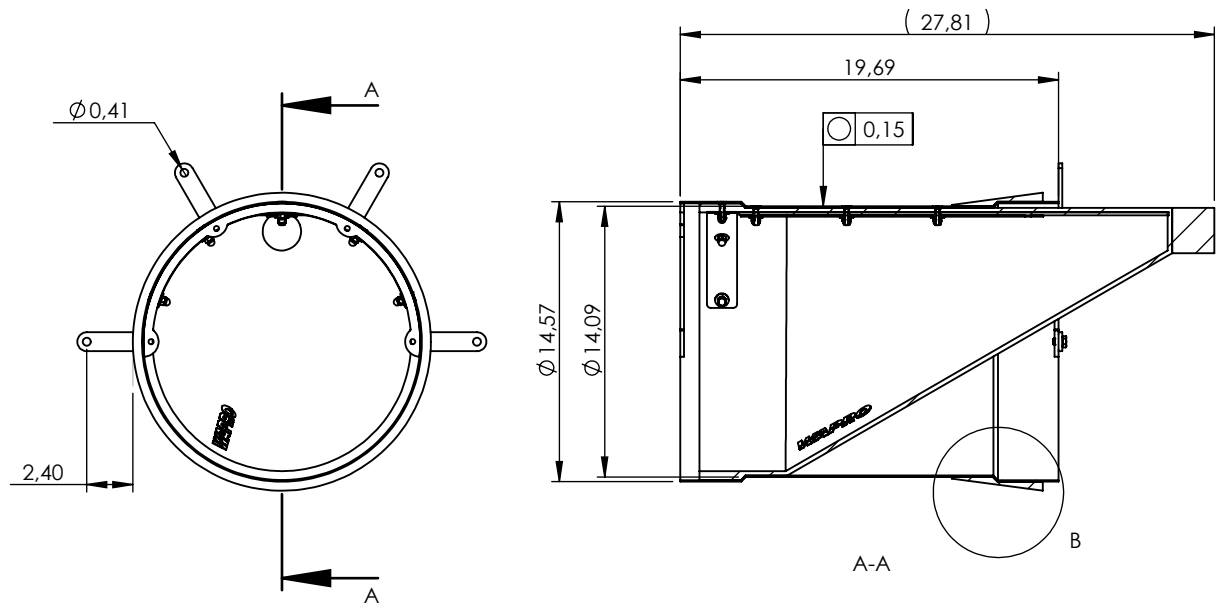


Rev	Note	CreatedBy	Appr.By	Appr.Date
A	Initial release	HE	AE	2019-12-10



DETAIL B
SCALE 1 : 2

Designed By HE	Approved By AE	Created Date 2019-11-20	Units [inch]	General Tolerance ISO 13920A	Scale 1:10	
Material AISI 316L			Project		Comments	
Weight [Lbs] 33,11	Box Volume [ft³]		Description WaStop NPS 15"			
 www.wapro.com			Short double collar			
			Article Number WS370-S-SHDC	Drawing Number ws370-s-shdc-us	Rev A	Sheet 1 (1)

© 2018 Wapro AB. This document is subject to copyrights owned by Wapro AB. Any amendments, republication, retransmission, and/or reproduction of all or any part of the document is expressly prohibited, unless the copyright owner of the material has expressly granted its prior written consent. All other rights are reserved.