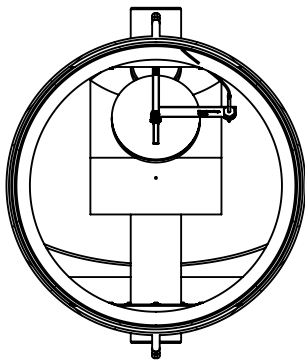
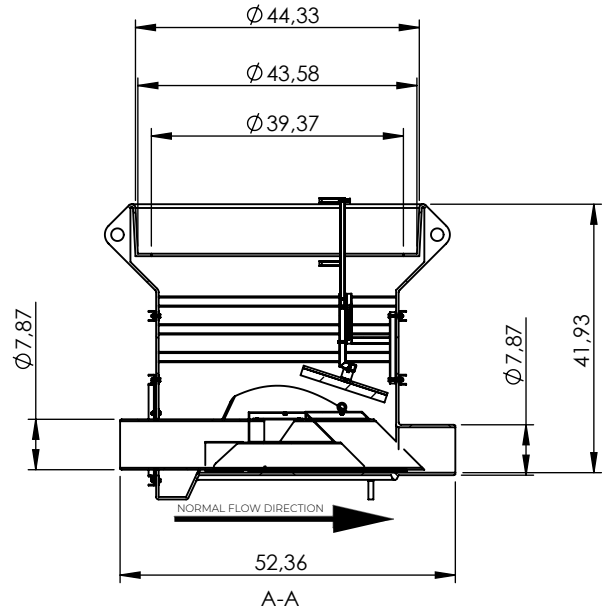
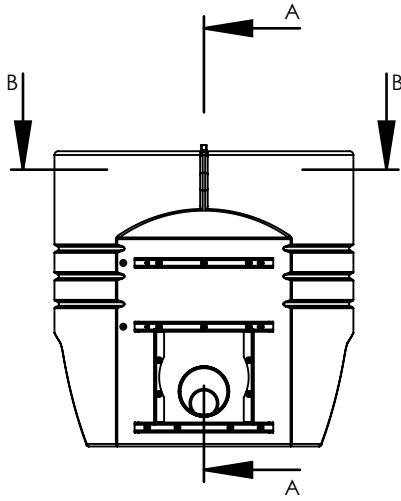
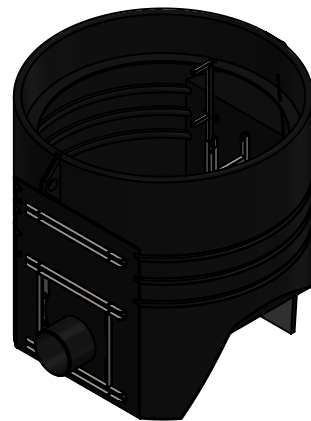


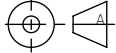

Rev	Note	CreatedBy	Appr.By	Appr.Date
A	Initial release	PW	FG	2020-12-10



B-B



© 2018 Wapro AB. This document is subject to copyrights owned by Wapro AB. Any amendments, republication, retransmission, and/or reproduction of all or any part of the document is expressly prohibited, unless the copyright owner of the material has expressly granted its prior written consent. All other rights are reserved.

Designed By FG	Approved By AE	Created Date 2020-02-13	Units [inch]	General Tolerance SS-ISO 2768-1 c	Scale 1:30	 Comments
Material PE, PVC, EN1.4301, EPDM			Project			
Weight [Lbs] 313	Box Volume [ft ³]		Description WaBack Access NPS 8" Large			
 www.wapro.com			Article Number WB200-WA1000	Drawing Number wb200-wa1000_us	Rev A	Sheet 1 (1)