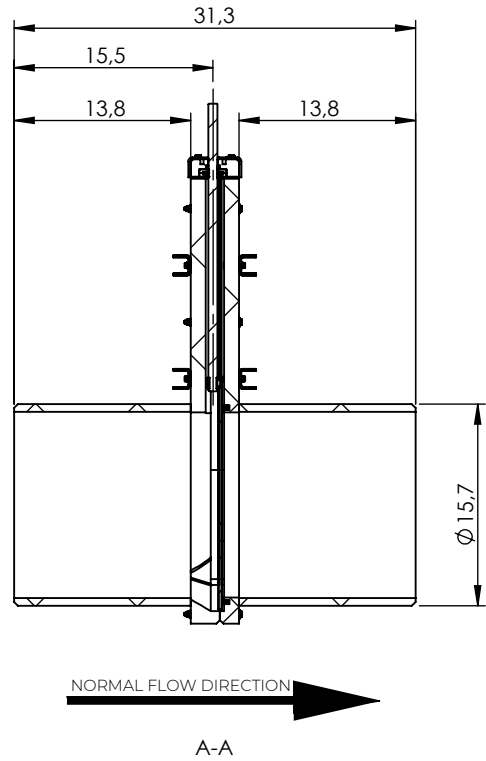
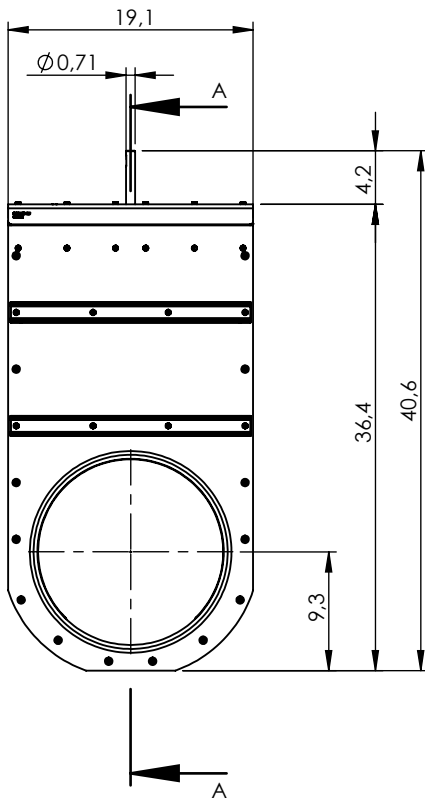
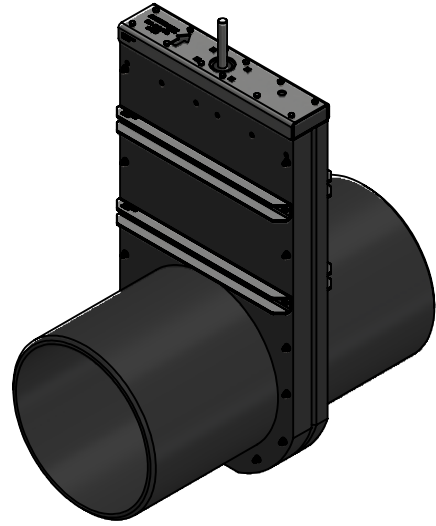
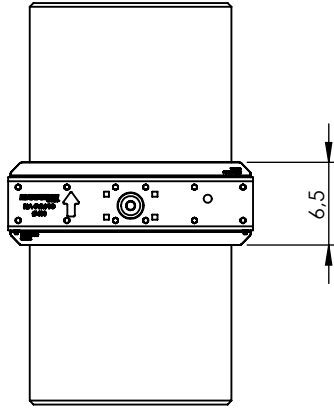


NOT FOR PRODUCTION



Approval Signature: _____

Date: _____

✓	Article No.	Knife gate material	Spindle material	Reinforcement material		
	V70076400	EN1.4404 / AISI 316	EN1.4404 / AISI 316	EN1.4404 / AISI 316		
	V70078400	EN1.4462 / AISI 2205	EN1.4462 / AISI 2205	EN1.4404 / AISI 316		
	V70079400	EN1.4462 / AISI 2205	EN1.4462 / AISI 2205	EN1.4462 / AISI 2205		
Designed By	Approved By	Created Date	Units	General Tolerance	Scale	
PW	RI	2022-08-30	[inch]	ISO 2768-1 m	1:15	
Material	See table		Comment	Updated		
			PE100 SDR17	2022-09-13		
Weight [Lbs]	Box Volume [ft ³]		Description			
150.49			SVM-TG NPS 16"			
 WAPRO GROUP www.riawatech.com			Stop Valve			
			Article Number	Drawing Number	Rev	Sheet
			See table	svm-tg-400_us	A	1 (1)

© 2022 Riawatech A/S. This document is subject to copyrights owned by Riawatech A/S. Any amendments, republication, retransmission, and/or reproduction of all or any part of the document is expressly prohibited, unless the copyright owner of the material has expressly granted its prior written consent. All other rights are reserved.