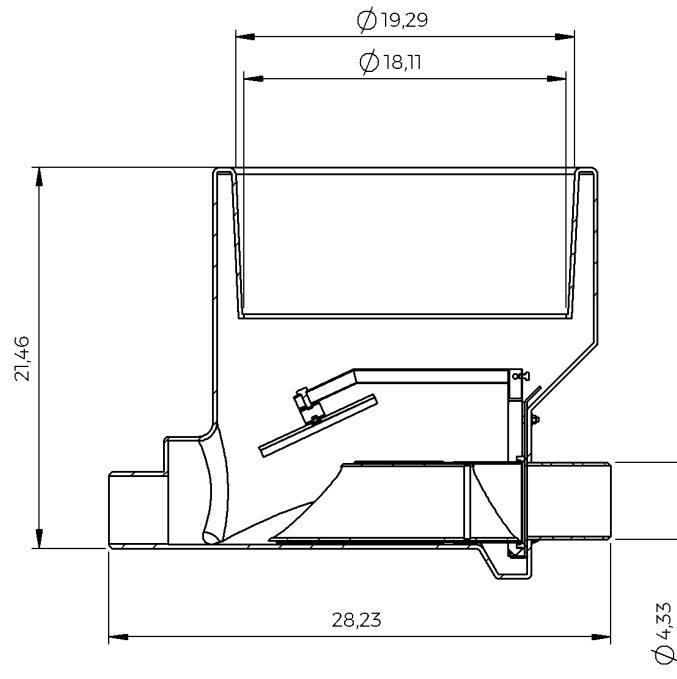


## WaBack® Access Technical Specification [ DN 110 mm ]

<b>Model no.:</b>	WA110-425-1
<b>Nominal Size:</b>	4"
<b>Material</b>	
Manhole:	PE
Membrane:	
Float:	PE
O-ring:	EPDM
Bracket:	Marine grade stainless steel (AISI 304)
Rubber joint:	EPDM
Plate:	PVC
Fasteners:	Stainless steel (AISI 316)
Foam seal:	PE-foam
Damper:	EPDM/304
Bracket:	Marine grade stainless steel (AISI 304)
Stainless steel frame:	EN1.4301

<b>Technical data:</b>	WA110-425-1
Max back pressure	
Manhole size	16,7
Riser	



\* ) +/- 15%

- Values measured from bottom of pipe.

- Tests performed at room temperature (61-68°F). No pipe connected downstream