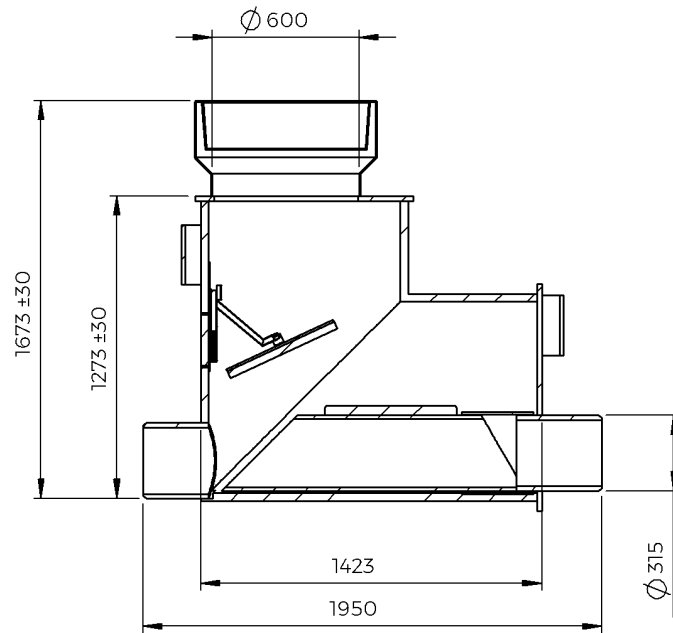


**WaBack<sup>®</sup> Check Valve Technical Specification**

<b>Model no.</b>	WB315-800
<b>Nominal Size:</b>	315 mm
<b>Material</b>	
Manhole:	PE
Float:	PE
Bracket:	Stainless steel (AISI 304)
Rubber joint:	EPDM
Plate:	PVC
Fasteners:	Stainless steel (AISI 316)
Foam seal:	PE-foam
Damper:	EPDM/304

Technical data:	
Closing head*	340 mm
Manhole size	800 mm
Riser	600 mm



- \*) +/- 15%  
- Values measured from bottom of pipe.  
- Tests performed at room temperature (16-20°C). No pipe connected downstream