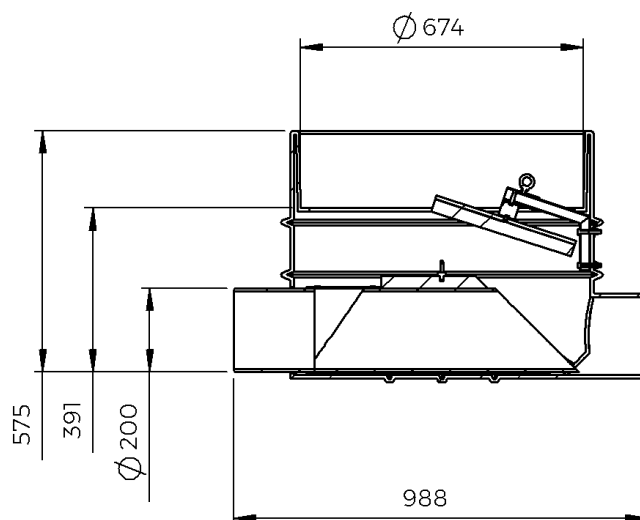


## WaBack® Check Valve Technical Specification

<b>Model no.</b>	WB200-600
<b>Nominal Size:</b>	200 mm
<b>Material</b>	
Manhole:	PE
Float:	PE
Bracket:	Stainless steel (AISI 304)
Rubber joint:	EPDM
Plate:	PVC
Fasteners:	Stainless steel (AISI 316)
Foam seal:	PE-foam
Damper:	EPDM/304

Technical data:	
Closing head*	150 mm
Manhole size	600 mm
Riser	600 mm



\*) +/- 15%

- Values measured from bottom of pipe.

- Tests performed at room temperature (16-20°C). No pipe connected downstream