

**WaBack<sup>®</sup> Check Valve Technical Specification****Model no.** WB110-600**Nominal Size:** 110 mm**Material**

Manhole: PE

Float: PE

Bracket: Stainless steel (AISI 304)

Rubber joint: EPDM

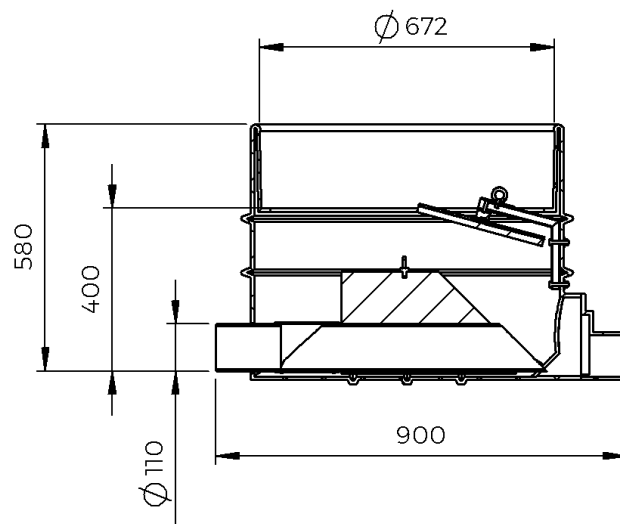
Plate: PVC

Fasteners: Stainless steel (AISI 316)

Foam seal: PE-foam

Damper: EPDM/304

Technical data:	
Closing head*	100 mm
Manhole size	600 mm
Riser	600 mm



\*) +/- 15%

- Values measured from bottom of pipe.

- Tests performed at room temperature (16-20°C). No pipe connected downstream